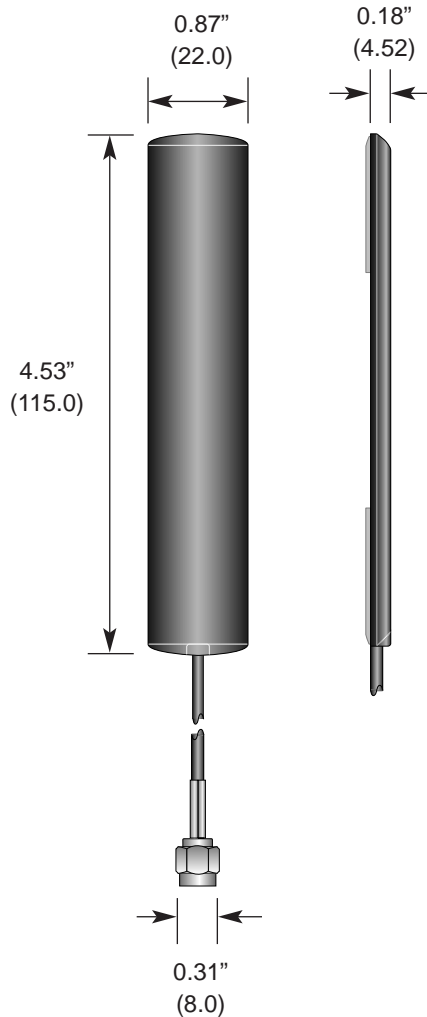


Product Dimensions



Description



The VDP Series is a compact, center-fed antenna that achieves efficient operation at any or all of three frequency bands. Its durable, unobtrusive housing attaches permanently with integral adhesive to flat, non-conductive surfaces such as windows, drywall, ceiling tiles, plastic, etc. The antenna is supplied with 9.8 feet (3m) of RG-174 cable that enters from the bottom to facilitate vertical orientation. It can be terminated in an FCC Part 15 compliant RP-SMA connector or a TNC connector.

Features

- Tri-band (860-960MHz and 1.77-1.88GHz and 2.45GHz)
- Center-fed from the bottom
- Surface-mount
- Low VSWR
- Excellent performance
- Omni-directional pattern
- Fully weatherized, durable, & unobtrusive
- RP-SMA or TNC connector

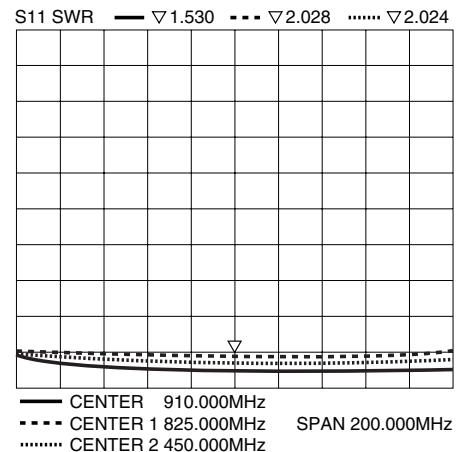
Electrical Specifications

- Freq. Bands. Band 1 860-960MHz
Band 2 1.77-1.88GHz
Band 3 2.45GHz
- Bandwidth 200MHz
- Wavelength 1/2-wave
- VSWR <1.5 typ. at center
- Impedance 50 ohms
- Connector RP-SMA or TNC
- Cable 9.8' RG-174 coax

Ordering Information

- ANT-DB1-VDP-RPS (with RP-SMA connector)
- ANT-DB1-VDP-TNC (with TNC connector)

VSWR Graph



Typical VSWR